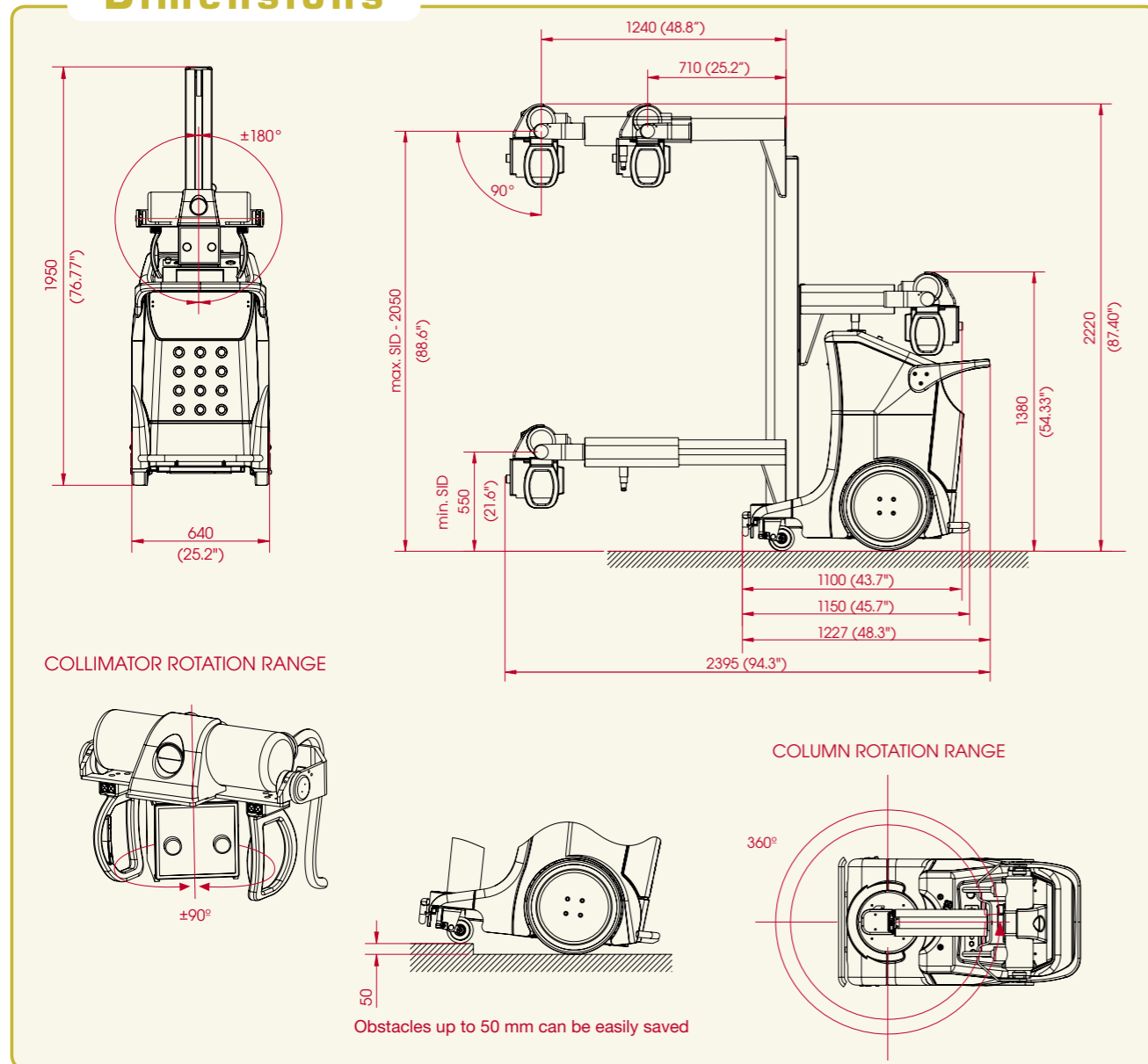


Mobile X-Ray Unit

Dimensions



Specifications subject to change without prior notice



Mobile X-ray Unit

"TRANSPORTIX-B"
 "TRANSPORTIX-C"



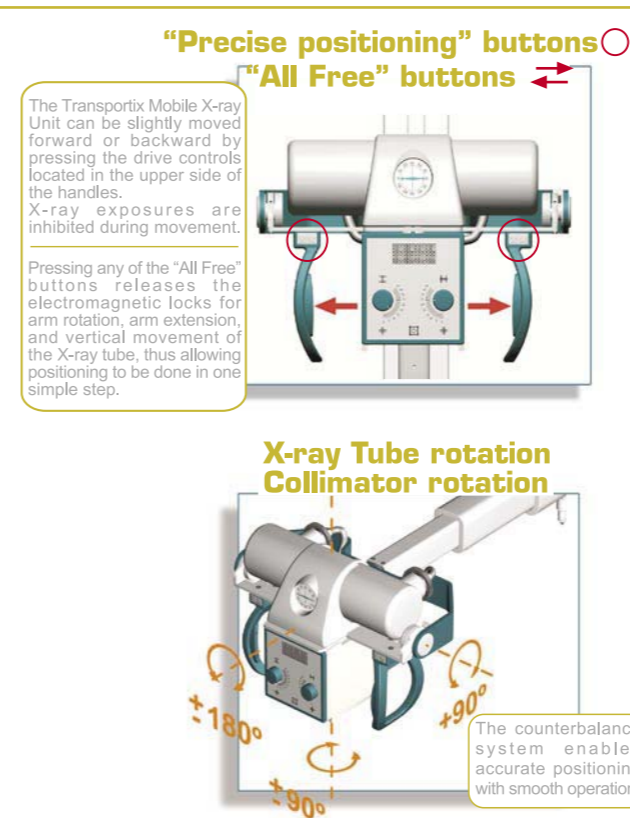
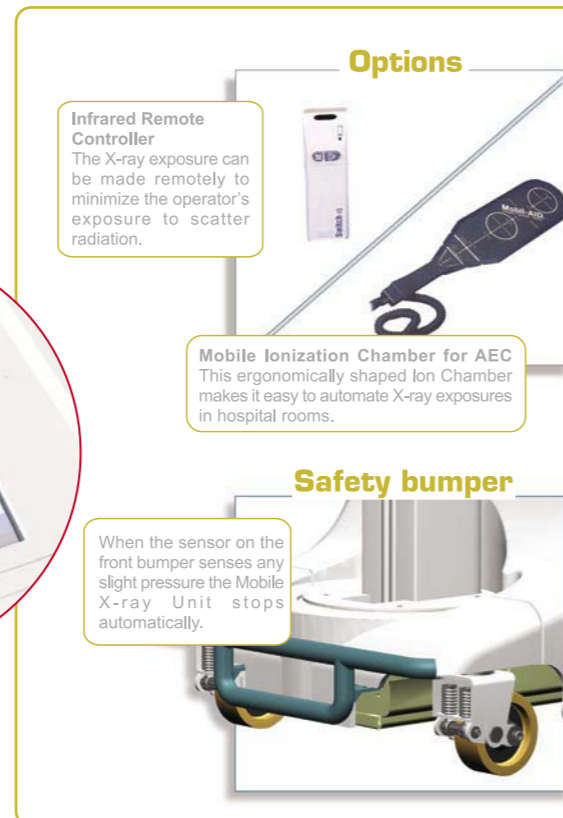
Mobile X-ray

Battery Powered X-ray Generator specifications

Model	TX-20HF-B	TX-32HF-B	TX-40HF-B	TX-50HF-B
Constant Potential kW ratings	20	32	40	50
KVp Range in 1 kVp steps (*) Optional	40 to 125/ 150(*)	40 to 150	40 to 150	40 to 150
Accuracy	±(3% + 1kVp)	±(3% + 1kVp)	±(3% + 1kVp)	±(3% + 1kVp)
mA Range	10 - 320	10 - 500	10 - 500	10 - 500
Number of Stations	16	18	18	18
Accuracy	±(4% + 1mA)	±(4% + 1mA)	±(4% + 1mA)	±(4% + 1mA)
Exposure time range	0.001 - 10 sec.	0.001 - 10 sec.	0.001 - 10 sec.	0.001 - 10 sec.
Accuracy	±(2% + 0.1ms)	±(2% + 0.1ms)	±(2% + 0.1ms)	±(2% + 0.1ms)
mAs range	0.1 - 500	0.1 - 500	0.1 - 500	0.1 - 500
Operation independent from mains supply	Standard	Standard	Standard	Standard
Batteries Capacity at full charge (maximum charge after 4 hours)	Up to 180 exposures of 160 mAs (i.e 70 kVp, 320 mA, 0.5 sec) Storage Capacity: 67.500 mAs @ 100 kVp			
Collimator	Manual with electronic timer and meter			
Anatomical programmer	492 views	492 views	492 views	492 views
Automatic exposure control	Optional	Optional	Optional	Optional
Touch Screen Console	Optional	Standard	Standard	Standard
Connection for bucky	Optional	Optional	Optional	Optional
Remote wireless hand-switch	Optional	Optional	Optional	Optional
Line voltage range and phases	Single-Phase Line Automatic Regulation from 100 - 240 VAC (+/-10%)			
X-Ray Tube (rotating Anode)	Low speed	Low speed	Low speed	Low speed
Focal spots	0.3 / 1.0	0.3 / 1.0	0.6 / 1.2	0.6 / 1.2
KHU / kVp	140 / 150	140 / 150	150 / 150	300 / 150
Target angle	12°	12°	12°	12°
Optional tube				
Focal spots	0.6 / 1.2	0.6 / 1.2	0.6 / 1.2	
KHU / kVp	300 / 150	300 / 150	300 / 150	
Target Angle	12°	12°	12°	
High speed starter	Optional	Optional	Optional	Optional
Motor Driven Unit	Standard	Standard	Standard	Standard
Weight	438 Kg	438 Kg	438 Kg	438 Kg

Capacitor Assisted X-ray Generator specifications

Model	TX-16HF-C	TX-20HF-C	TX-32HF-C	TX-40HF-C	TX-50HF-C
Constant Potential kW ratings	16	20	32	40	50
KVp Range in 1 kVp steps (*) Optional	40 to 125/ 150(*)	40 to 125/ 150(*)	40 to 150	40 to 150	40 to 150
Accuracy	±(3% + 1 kVp)	±(3% + 1 kVp)	±(3% + 1 kVp)	±(3% + 1 kVp)	±(3% + 1 kVp)
mA Range	10 - 250	10 - 320	10 - 500	10 - 500	10 - 500
Number of Stations	15	16	18	18	18
Accuracy	±(4% + 1 mA)	±(4% + 1 mA)	±(4% + 1 mA)	±(4% + 1 mA)	±(4% + 1 mA)
Exposure Time Range	0.001 - 10 sec	0.001 - 10 sec	0.001 - 10 sec	0.001 - 10 sec	0.001 - 10 sec
Accuracy	±(2% + 0.1 ms)	±(2% + 0.1 ms)	±(2% + 0.1 ms)	±(2% + 0.1 ms)	±(2% + 0.1 ms)
mAs Range	0.1 to 250	0.1 to 320	0.1 to 500	0.1 to 500	0.1 to 500
Collimator	Manual with electronic timer and meter				
Anatomical Programmer	492 views	492 views	492 views	492 views	492 views
Automatic Exposure Control	Optional	Optional	Optional	Optional	Optional
Touch Screen Console	Optional	Optional	Standard	Standard	Standard
Connection for bucky	Optional	Optional	Optional	Optional	Optional
Remote wireless hand-switch	Optional	Optional	Optional	Optional	Optional
Line voltage range and phases	Line Operation Range 100 / 110 / 208 / 230 / 240 VAC (+/-10%) - single phase Power Line Adaptation for local conditions from 8 to 16 Amp.				
X-Ray tube (Rotating anode)	Low speed	Low speed	Low speed	Low speed	Low speed
Focal spots	0.3 / 1.0	0.3 / 1.0	0.3 / 1.0	0.6 / 1.2	0.6 / 1.2
KHU / kVp	140 / 150	140 / 150	140 / 150	150 / 150	300 / 150
Target angle	12°	12°	12°	12°	12°
Optional tube					
Focal spots	0.6 / 1.2	0.6 / 1.2	0.6 / 1.2	0.6 / 1.2	
KHU / kVp	300 / 150	300 / 150	300 / 150	300 / 150	
Target Angle	12°	12°	12°	12°	
High speed starter	Optional	Optional	Optional	Optional	Optional
Motor Driven Unit	Optional	Optional	Optional	Standard	Standard
Weight	320kg/370kg(*)	320kg/370kg(*)	320kg/370kg(*)	370 kg	370 kg
(*) Motor Driven Option					



Motorized Version

Mobile X-Ray Unit