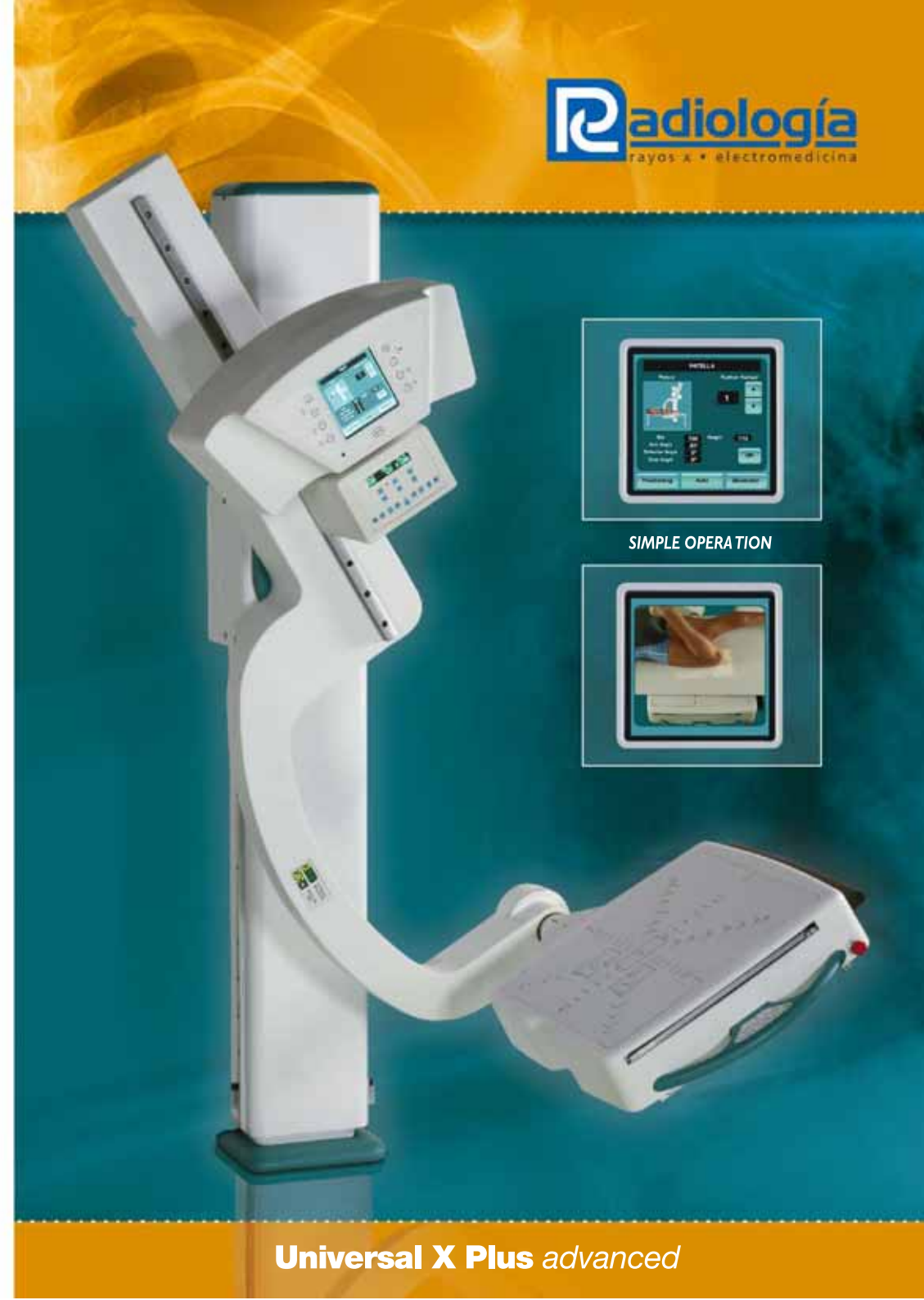


Universal X Plus *advanced*

SPECIFICATIONS

Motorized swivel arm:	
Dual-speed motorized movement for:	1) SID adjustment; 2) arm elevating movement 3) Rotation of the arm
Source-to-image distance (SID)	100-180 cm (40-72") continuously adjustable (dual-speed motorized movement)
Vertical travel	1.215 mm (47.8")
Rotation angle	150° (90° +/- 30°)
Image detector cabinet:	
Detector cabinet with integrated Control Panel	- image digital detector: maximum size: 43 cm x 43 cm (17" x 17") - range of tilt: +/- 45°
Grid type	1) Reciprocating bucky (oscillating grid) (103 lines / Ratio 12:1 / f = 150 cm / 59") 2) Grid cabinet + non oscillating interchangeable grid a) 1st. grid - 180 lines / Ratio 12:1 / f = 100 cm / 39.4" b) 2nd grid - 180 lines / Ratio 12:1 / f = 180 cm / 70.9"
Mobile patient table:	
Table-top composition	Laminated structure
Patient capacity	200 kg (441 lb)
Dimensions (L x W x H)	2.000 mm x 650 mm x 700 mm (78.7" x 25.6" x 27.6")
Options:	
Mobile table	Carbon fibre table top - Patient capacity: 200 kg (441)
Collimator	Automatic collimator
Unit fixation system	Floor to ceiling support
Image Detector Cabinet	Motorized rotation movement
Main column:	
Floor to wall mounted support Dual-speed motorized swivel arm vertical movement for effortless and accurate setting	
X-Ray generator:	
RADIOLOGIA Compact X-ray Generator (up to 80 kW output power) available in three power versions: line powered / battery powered / capacitor assisted	
Collimator:	
- Manual type collimator	
- Linear laser beam for patient positioning in combination with light field indicator	
- Rails for accessories	
- Measuring tape	
Weights:	
- Universal X Plus advanced net weight: 324 kg (714.3 lb)	
- (mobile table and digital image detector are not included)	
- Mobile table net weight: a) standard table: 46 kg (101.4 lb) b) carbon fibre table: 30 kg (66.1 lb)	
Power line requirements:	
(Universal X Plus advanced only) Line Voltage: 208; 230; 240 VAC (single phase) Power consumption: 2,5 kVA	

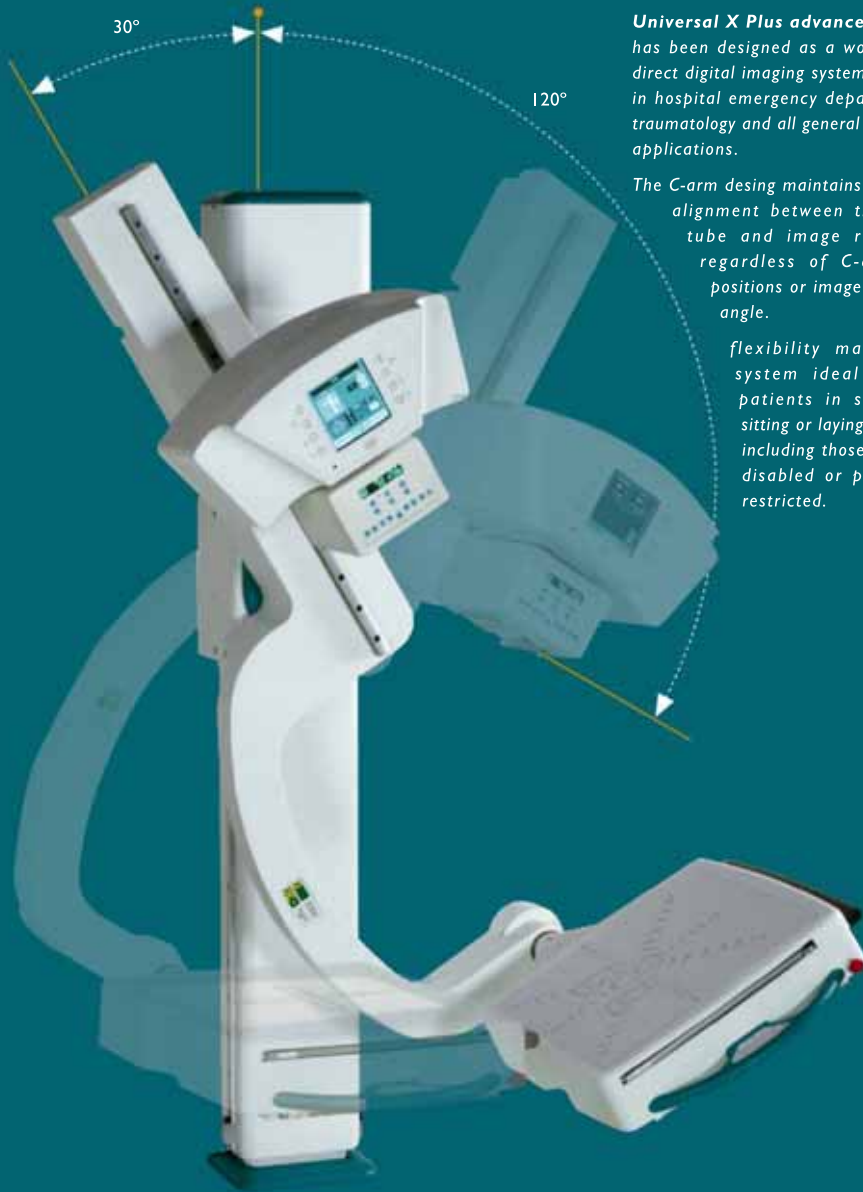
Specifications subject to change without prior notice



SIMPLE OPERATION

UNIVERSAL RADIOGRAPHIC SYSTEM

The image receptor rotates within a range of +/- 45° to allow for various studies.



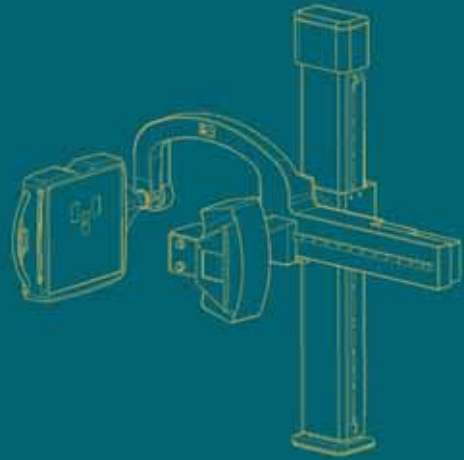
Universal X Plus advanced system has been designed as a world-class direct digital imaging systems for use in hospital emergency departments, traumatology and all general radiology applications.

The C-arm design maintains constant alignment between the x-ray tube and image receptor, regardless of C-arm tilt positions or image receptor angle.

flexibility makes the system ideal for all patients in standing, sitting or laying position, including those who are disabled or physically restricted.

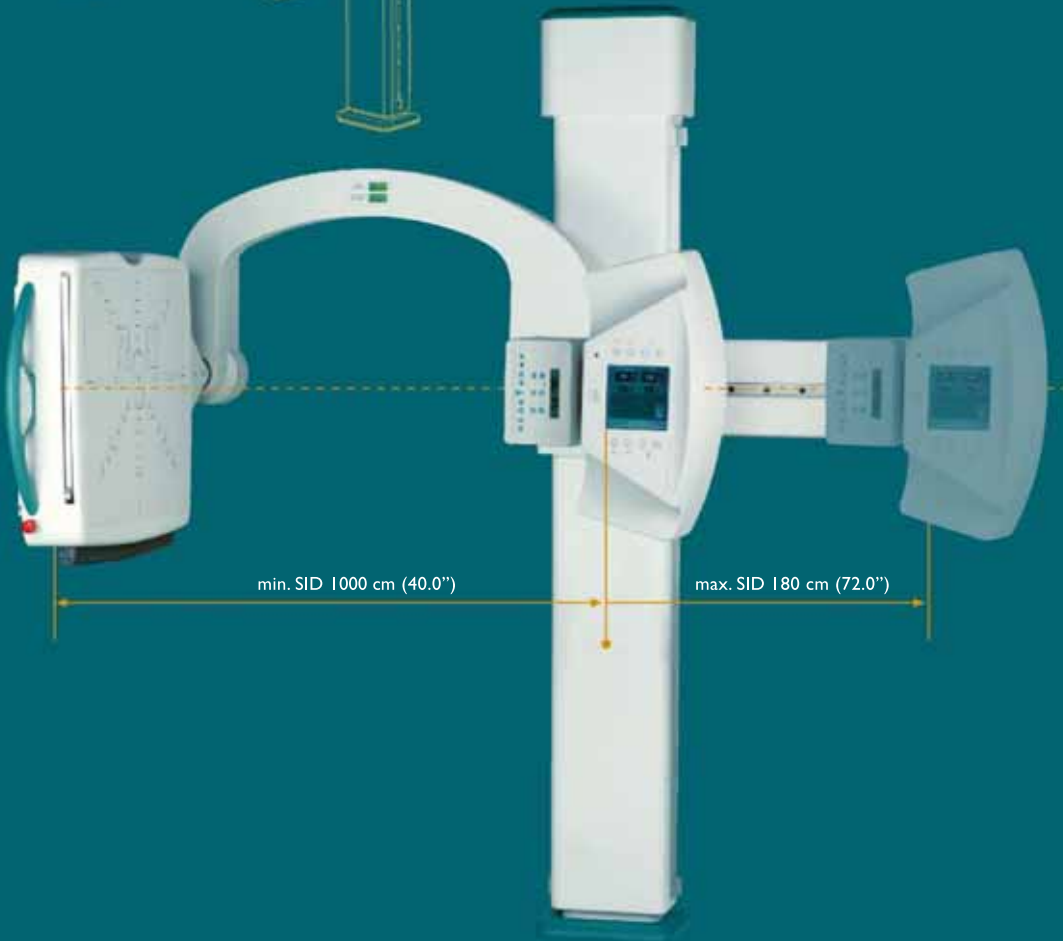


ALL SYSTEM MOVEMENTS ARE MOTORIZED



Universal X Plus advanced provides a variable source to image distance (SID) of 100 to 180 cm (40" -72") to accommodate a range of radiographics studies.

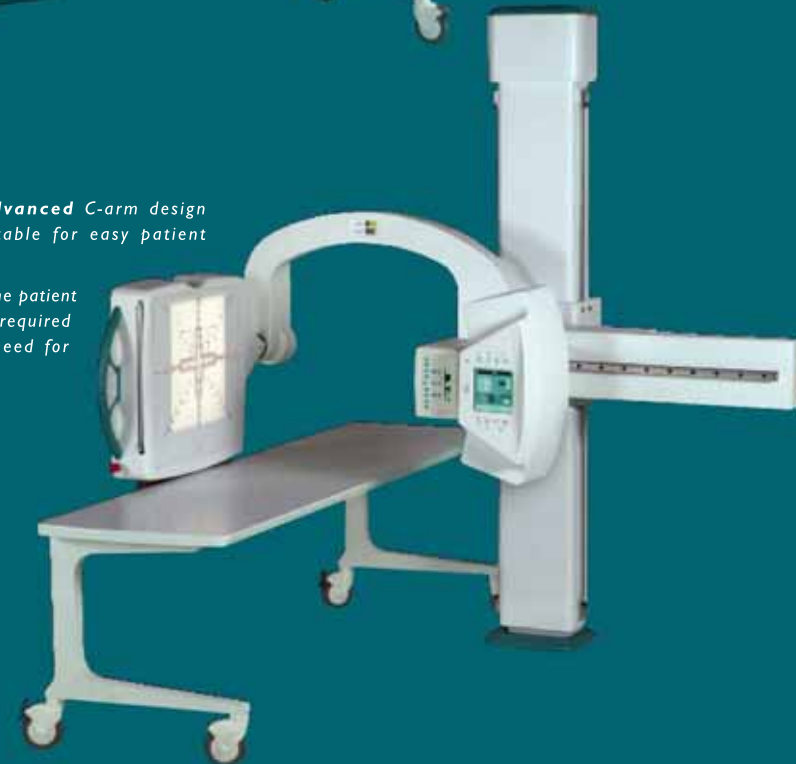
The x-ray tube assembly can be easily moved from 100 to 180 cm (40" -72") at any C-arm angle position, by using the operator hand control.



User-friendly console and constant alignment of x-ray table and digital image receptor guarantee efficient and confidence diagnosis.

Universal X Plus advanced C-arm design accommodates cross-table for easy patient positioning.

With the patient table the patient can be moved into any required position without the need for repositioning.



SIMPLE OPERATION AUTOMATIC OPERATION

The movements can be controlled from four different places:

- 1 From the Touch Screen Panel outside of the Room at the working station
- 2 From the Touch Buttons located in the X-ray Tube cover, around the Touch Screen Display Control
- 3 From the Infrared Remote Control
- 4 From the Control Panel at the Detector side

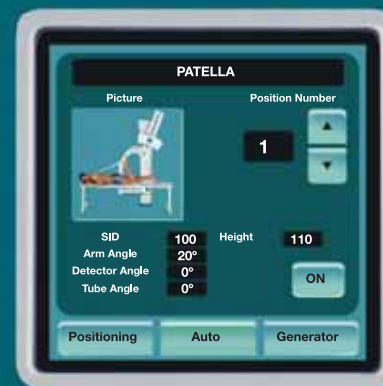
During all movements a Button will need to be continuously pressed (dead-man) until reaching the final position. At this moment a message tells the operator that the position has been successfully reached.



AUTOMATION & SIMPLE OPERATION

The idea under this new design is that just by selecting one patient from the Work List which will provide the specific study (anatomical region and view) to be performed in the examination, the System will be ready to move to a specific pre-programmed position, open the collimator shutters to the specific pre-programmed collimation and have the specific x-ray parameters for this kind of study.

As a safety measure, once a final selection of the Anatomical View is selected from the work list, the system will require the operator to confirm the movement to the pre-programmed position and pre-programmed collimation by pressing the button continuously until this position is reached.



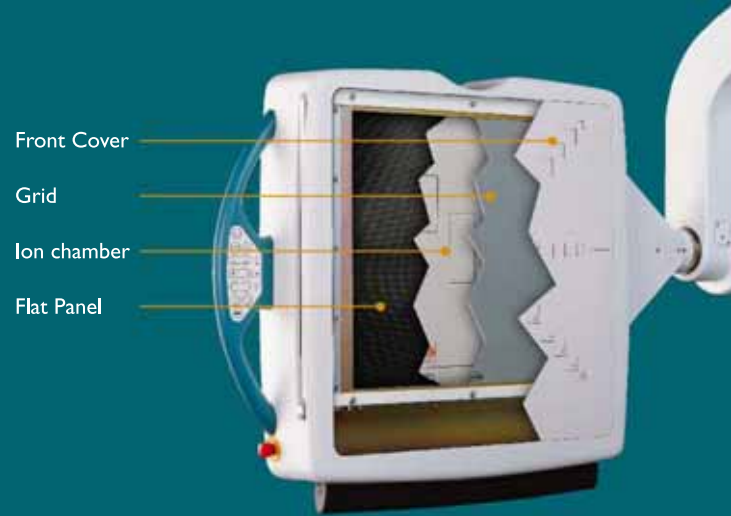
EASY POSITIONING BETTER PRODUCTIVITY

The above described procedure will enormously simplify any system positioning, providing greater productivity and allowing that not very experienced operators will easily auto-position the system. Patient positioning will also be faster and simpler to the operator as an actual photo of patient positioning can be displayed in both the working station and the touch screen in the x-ray tube cover for any specific study.



DIGITAL DETECTOR ASSEMBLY

Universal X Plus advanced can be equipped with any digital x-ray detector up to 43 x 43 cm. (17" x 17") size.



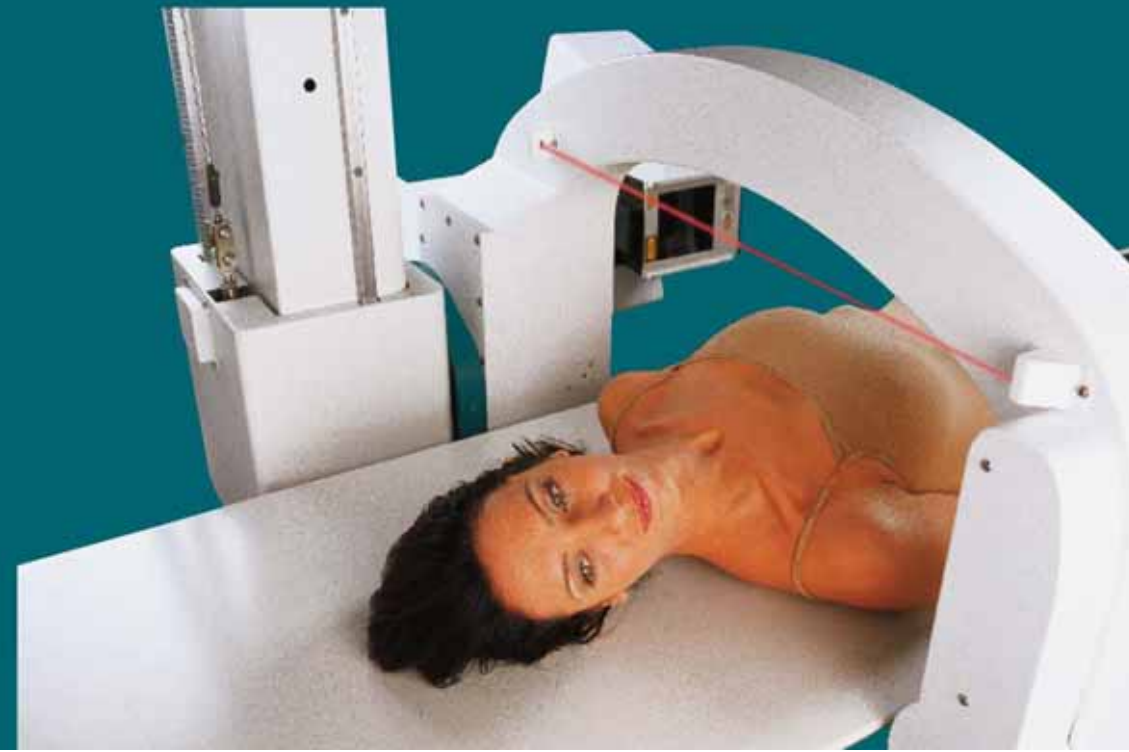
TWO different GRIDS available for studies at different Focal Distances.



AUTOMATIC AND SAFE POSITIONING



The system's operator-friendly controls dual speed motorized movements, and the intelligent anti-collision system (two laser beams + pressure sensor + bumper detector) makes the patient positioning quick, easy and safe.

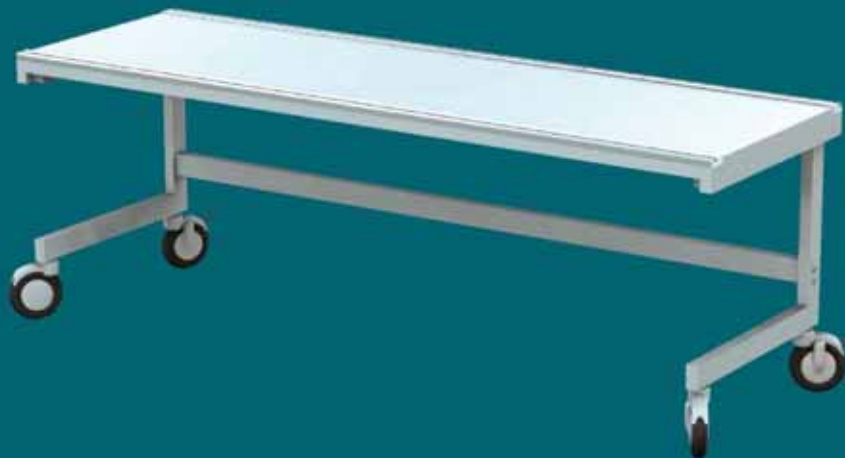


PATIENT TABLE

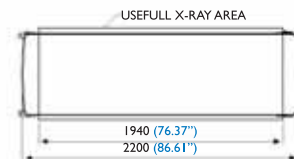
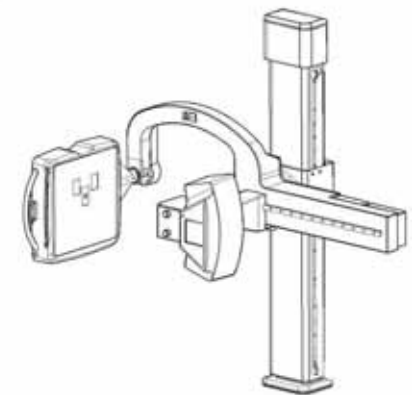
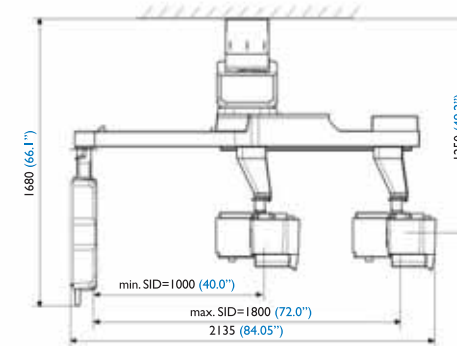
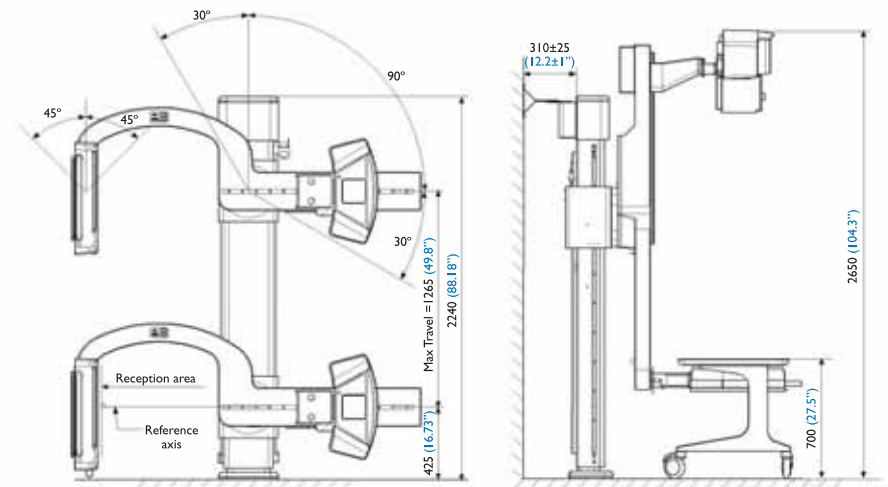
Carbon Fibre Table Top
(Optional Mobile Table)



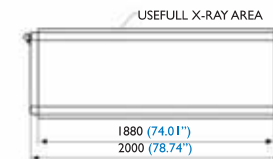
Stratified Laminated Table Top
(Standard Mobile Table)



DIMENSIONS



CARBON FIBRE TABLE
2200x650x700
(86.61x25.59x27.55")
WEIGHT: 30 Kg
(66.1 lb)



LAMINATED TABLE
2000x650x700
(78.74x25.59x27.55")
WEIGHT: 40 Kg
(101.1 lb)