

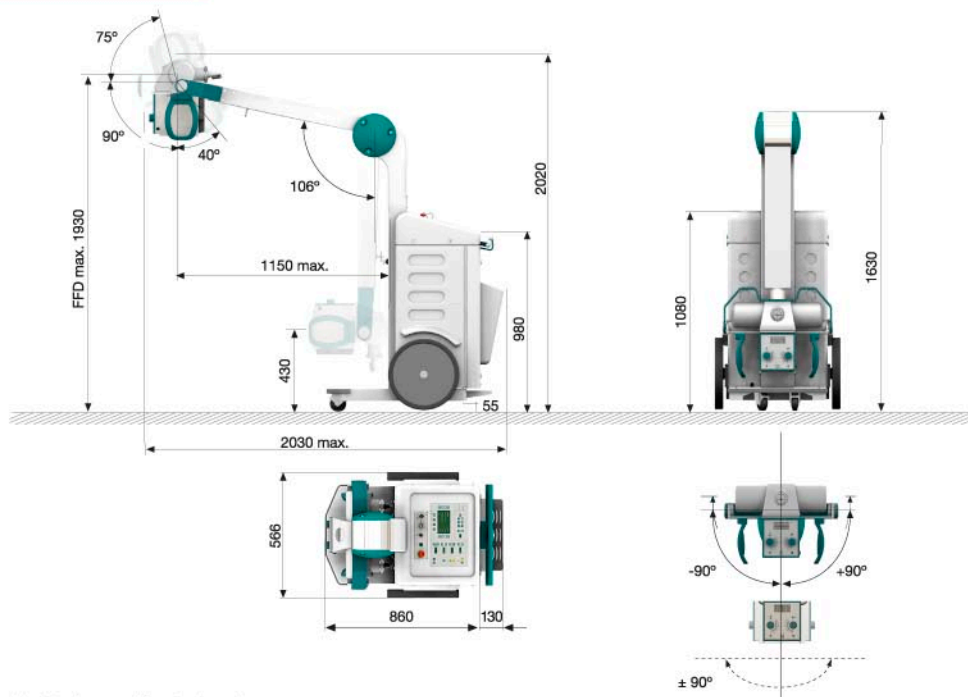


Specifications

Capacitor Assisted X-ray Generator

| Model | TX-16-MLP | TX-20-MLP | TX-32-MLP |
|--|---|------------------|------------------|
| Constant Potential kW ratings | 16 | 20 | 32 |
| KVp Range in 1 kVp steps (* Optional) | 40 to 125/150(*) | 40 to 125/150(*) | 40 to 150 |
| Accuracy | ± (3 % + 1 kVp) | ± (3 % + 1 kVp) | ± (3 % + 1 kVp) |
| mA Range | 10 – 250 | 10 – 320 | 10 – 500 |
| Number of Stations | 15 | 16 | 18 |
| Accuracy | ± (4 % + 1 mA) | ± (4 % + 1 mA) | ± (4 % + 0.1 mA) |
| Exposure Time Range | 0.001 – 10sec | 0.001 – 10sec | 0.001 – 10sec |
| Accuracy | ± (2% + 0.1 ms) | ± (2% + 0.1 ms) | ± (2% + 0.1 ms) |
| mAs Range | 0.1 to 250 | 0.1 to 320 | 0.1 to 500 |
| Collimator | Manual with electronic timer and tape-measure | | |
| Anatomical Programmer | 492 views | 492 views | 492 views |
| Automatic Exposure Control | Optional | Optional | Optional |
| Connection for bucky | Optional | Optional | Optional |
| Remote wireless hand-switckh | Optional | Optional | Optional |
| Line Operation Range | 100 / 110 / 208 / 230 / 240 VAC (+/-10%) - 1 phase Power Line Adaptation for local conditions from 8 to 16 Amp. | | |
| X-Ray tube (Rotating anode) | Low speed | Low speed | Low speed |
| Focal spots | 0.3 / 1.0 | 0.3 / 1.0 | 0.3 / 1.0 |
| KHU / kVp | 140 / 150 | 140 / 150 | 140 / 150 |
| Target angle | 12° | 12° | 12° |
| Optional tube | other tubes available on request | | |
| Weight | 235 kg | 235 kg | 235 kg |

Dimensions



Specifications subject to change without prior notice

Radiología

C/ Abril, 42 (Pol. Ind. Fin de Semana)
28022 - MADRID
España
Tel.: (34) 91 329 45 85
Fax: (34) 91 329 57 62
www.radiologia-sa.com
radiologia@radiologia-sa.com

