

# JVC

1.3 Megapixel 19" Color Monitor

# CL-R190



# 1.3

Megapixel  
Color Monitor

Wide viewing angles for clinical data and medical imaging  
with DICOM calibration function

19"

Wide  
Viewing  
Angle  
IPS Panel

1000:1

10Bit  
LUT

DisplayPort  
DVI-D  
VGA

Calibration  
Function

LED  
Backlight

## Wide Viewing Angles with the IPS Panel, LED Backlight

IPS panel technology provides high brightness, a wide viewing angle and accuracy in color. LED Backlight system contributes more stability in images and energy saving.

## Color Calibration

Color calibration function to reproduce colors precise to the original and grayscale compliant with DICOM Part 14 standard.

\* Optional calibration kit CAL-016 is required for calibration.



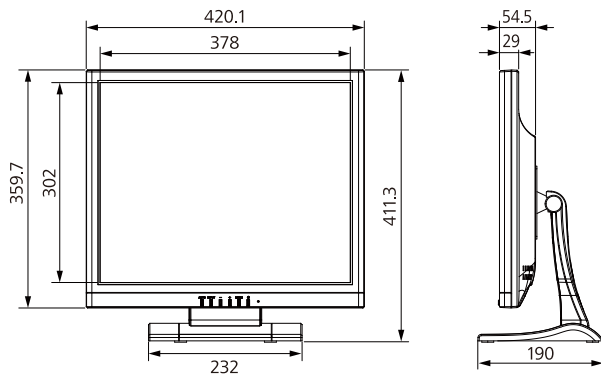
## Luminance Stabilizing System

The Luminance sensor in back constantly monitors and accurately stabilizes luminance on the screen to optimize image quality.

## Multi-interface

CL-R190 provides for two digital interfaces (DVI-D, DisplayPort), and an analog interface (D-Sub mini 15pin).

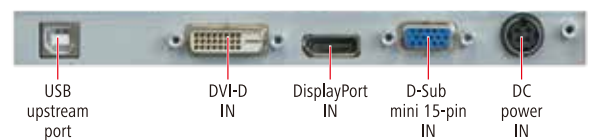
## Dimensions (mm)



## Specifications

<b>Model Name</b>		CL-R190
<b>LCD Panel</b>	<b>Technology</b>	19" color TFT IPS technology
	<b>Display Area</b>	374.78 mm × 299.82 mm
	<b>Pixel Pitch</b>	0.292 mm × 0.292 mm
	<b>Contrast Ratio</b>	1000 : 1 (typ.)
	<b>Maximum Luminance</b>	250 cd/m <sup>2</sup> (typ.), 150 cd/m <sup>2</sup> / 180 cd/m <sup>2</sup> (calibrated)
	<b>Viewing Angle</b>	178° vertical and horizontal
<b>Visual Performance</b>	<b>Native Resolution</b>	VGA (640 × 480) ~ SXGA (1280 × 1024)
	<b>Grayscale</b>	16.77 million colors from a palette of 1.064 billion colors
<b>Interface</b>	<b>Input Signal</b>	Digital : DVI-D, DisplayPort Analog : D-Sub mini 15pin
	<b>Plug and Play</b>	DDC2B compliant
<b>Input Power Supply</b>	<b>Input Power Supply</b>	AC 100 - 250 V, 50 / 60 Hz
	<b>Maximum Power Consumption</b>	22 W (max.)
<b>Features</b>	<b>Calibration Control</b>	Luminance, Gamma, Color temperature (Optional Calibration kit is required)
	<b>OSD Information Display</b>	Model name, Serial No., Total operating time, Calibration settings
<b>Approvals</b>		CE(EN60601-1, EN60601-1-2), VCCI-B, J-Moss, RoHS
<b>Physical Characteristics</b>	<b>Dimensions (W × H × D)</b>	419.6 × 411.3 × 190 mm
	<b>Weight</b>	4.4 kg
	<b>Tilt Stand</b>	Tilt
	<b>Mount</b>	VESA standard (100 mm × 100 mm)
	<b>Security Slot</b>	Anti-theft security slots
<b>Accessories</b>		AC adapter, Power cord, DisplayPort cable, DVI cable, USB cable, Instruction manual

## Interface



●“JVC” is a brand of medical and industrial monitors manufactured and sold by JVCKENWOOD Corporation. ●Company names and product names are the registered trademarks of the respective companies. ●Product specifications and appearance are subject to change without notice. ●Colors in photographs may differ from actual colors due to the printing process. ●Images on screens are simulated.



### Safety Precautions

- Please read the user's manual for safe and proper use.
- Do not expose the product to dust, moisture, steam, or oily smoke. It could cause fire, electric shock, or a failure.

Please contact our distributor below with inquiries and orders.

Healthcare Business Division  
JVCKENWOOD Corporation  
3-12, Moriya-cho, Kanagawa-ku, Yokohama-shi, Kanagawa, 221-0022, JAPAN  
TEL: +81-45-450-1908 FAX: +81-45-450-1926  
E mail : medical-display.j@jvckenwood.com  
JVC Healthcare Website : <http://healthcare.jvc.com/>